



The Travato Class B models will be equipped with one of (3) styles of Carefree Roof Mount awnings. They will be as follows:

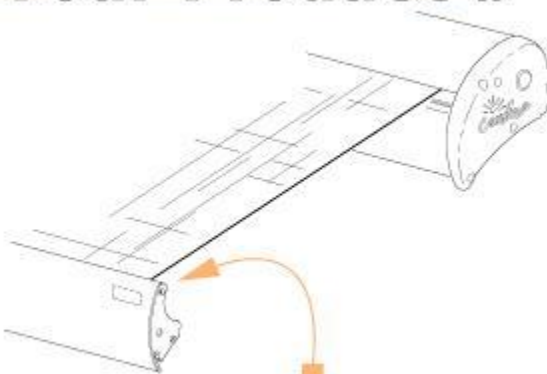
---

- 2017, 2016 or older models will be equipped with a Freedom RM (Roof Mount) which has vertical support legs and no automatic retract. 2014 through approximately early 2017 Travatos, look for a "BY or BW product number prefix. **NOTE: If your early Travato has the FIAMMA Roof Rack system, it will have a FIAMMA Awning, and not a Carefree, Please verify.** (see below)
  - 2017.5 to 2020 models will be equipped with a Freestyle RM (Roof Mount) which has no vertical support legs but has Direct Response Auto Retraction. Late 2017 through 2020 Travatos look for an "HG product number prefix". (see below)
  - 2020.5 models will be equipped with a Freestyle Evolution RM (Roof Mount) with the BT12 Wireless Awning Control System. This includes Carefree Connects Mobile App Model with Auto Retraction. 2020.5 and newer Travatos look for an "IJ product number prefix" (see below)
- 

## For 2020.5 Travato Owners Freestyle Evolution RM (Roof Mount)

---

### How To Find Your Product #



Serial # / Part # located on the inside of the end of lead rail

### FREESTYLE EVOLUTION Roof Mount

IJ = FREESTYLE EVOLUTION Roof Mount

Product Part #

IJXXXYYxyzz

Product Type   Length in Inches   Fabric Color   Case Color or Left Motor   LED's

Please See Links Below For Shortcuts To Additional Information

#### Owner's Manual

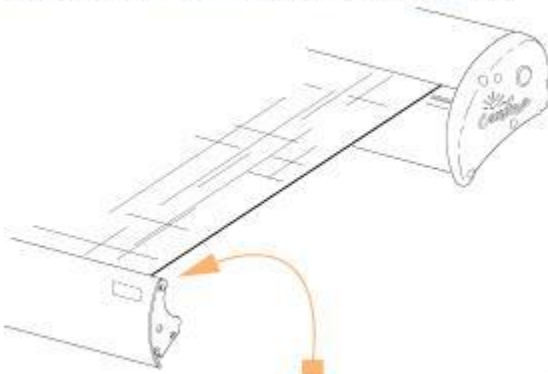
- *Product Introduction* – Short list of the features and benefits of the Freestyle Evolution awning

- <https://www.carefreeofcolorado.com/documents/freestyle-evolution-manuals/070036-201%20Freestyle-Evolution-Owner-Manual.pdf#page=2>
- *Service and Support Contact Information*
  - <https://www.carefreeofcolorado.com/documents/freestyle-evolution-manuals/070036-201%20Freestyle-Evolution-Owner-Manual.pdf#page=4>
- *Operation* – How to operate your awning with the standard Carefree control switch. Ignition Lockout details and how to replace the BTMotion Sensor’s batteries.
  - <https://www.carefreeofcolorado.com/documents/freestyle-evolution-manuals/070036-201%20Freestyle-Evolution-Owner-Manual.pdf#page=6>
- *LED Lighting Controls*
  - <https://www.carefreeofcolorado.com/documents/freestyle-evolution-manuals/070036-201%20Freestyle-Evolution-Owner-Manual.pdf#page=9>
- *Adjusting the Pitch*
  - <https://www.carefreeofcolorado.com/documents/freestyle-evolution-manuals/070036-201%20Freestyle-Evolution-Owner-Manual.pdf#page=15>
- *FAQs*
  - <https://www.carefreeofcolorado.com/documents/freestyle-evolution-manuals/070036-201%20Freestyle-Evolution-Owner-Manual.pdf#page=12>
- *Manual Override Procedure* – In case of RV Power Failure or Motor Failure
  - <https://www.carefreeofcolorado.com/documents/freestyle-evolution-manuals/070036-201%20Freestyle-Evolution-Owner-Manual.pdf#page=13>
- *Care and Maintenance*
  - <https://www.carefreeofcolorado.com/documents/freestyle-evolution-manuals/070036-201%20Freestyle-Evolution-Owner-Manual.pdf#page=14>
- *Pairing the awning’s control system with your smart device*
  - <https://www.carefreeofcolorado.com/documents/freestyle-evolution-manuals/070036-201%20Freestyle-Evolution-Owner-Manual.pdf#page=10>
- *Carefree Connects Mobile App Manual*
  - <https://www.carefreeofcolorado.com/resources/documents/070029-201r1%20Carefree-Connects-Mobile-App-Manual.pdf>

**Installation Manual:** <https://www.carefreeofcolorado.com/documents/freestyle-evolution-manuals/070036-001r1%20Freestyle-Evolution-Installation.pdf>

# For 2017.5 to 2020 Travato Owners Freestyle RM (Roof Mount)

## How To Find Your Product #



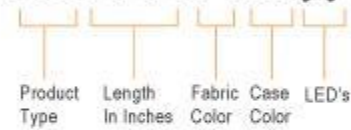
Serial # / Part # located on the  
inside of the end of lead rail

## FREESTYLE Roof Mount

HG = FREESTYLE  
Roof Mount

Product Part #

**HGXXXYYxxyy**



Please See Links Below  
**For Shortcuts**  
To Additional Information

### Owner's Manual with Direct Response

- *Operation*
  - <https://www.carefreeofcolorado.com/documents/070014-201r6%20Freestyle%20RM%20with%20DR%20Owners%20Manual.pdf#page=3>
- *Manual Override – In case of RV power failure or motor failure*
  - <https://www.carefreeofcolorado.com/documents/070014-201r6%20Freestyle%20RM%20with%20DR%20Owners%20Manual.pdf#page=4>
- *Care and Maintenance*
  - <https://www.carefreeofcolorado.com/documents/070014-201r6%20Freestyle%20RM%20with%20DR%20Owners%20Manual.pdf#page=5>
- *Adjusting the Pitch*
  - <https://www.carefreeofcolorado.com/documents/070014-201r6%20Freestyle%20RM%20with%20DR%20Owners%20Manual.pdf#page=6>

### Service Manual

- *Product Overview | Conversion of Dimensions (CM to Inches)*
  - <https://www.carefreeofcolorado.com/documents/Freestyle-RM-Service-Manual.pdf#page=4>
- *Manual Override – In case of RV power failure or motor failure*
  - <https://www.carefreeofcolorado.com/documents/Freestyle-RM-Service-Manual.pdf#page=5>
- *Adjusting the Pitch*
  - <https://www.carefreeofcolorado.com/documents/Freestyle-RM-Service-Manual.pdf#page=5>
- *Adjusting the Motor Limits (Motor Limit Switches)*

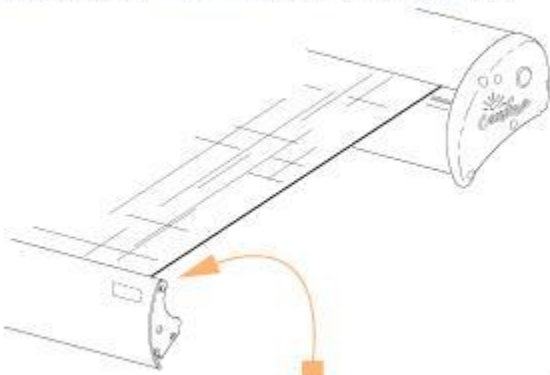
- <https://www.carefreeofcolorado.com/documents/Freestyle-RM-Service-Manual.pdf#page=6>
- *Care and Maintenance*
  - <https://www.carefreeofcolorado.com/documents/Freestyle-RM-Service-Manual.pdf#page=7>
- *Canopy Replacement (For Original and Current Configurations) – See product overview for more details on the differences between Original and Current Configurations*
  - Original: <https://www.carefreeofcolorado.com/documents/Freestyle-RM-Service-Manual.pdf#page=8>
  - Current: <https://www.carefreeofcolorado.com/documents/Freestyle-RM-Service-Manual.pdf#page=9>
- *Spring Arm Replacement – Removing the lead rail connector, attaching the arm to the lead rail, replacing the arm*
  - <https://www.carefreeofcolorado.com/documents/Freestyle-RM-Service-Manual.pdf#page=11>
- *Motor Replacement – Preliminary steps, Original Configuration, Current Configuration*
  - Preliminary Steps (All Configurations): <https://www.carefreeofcolorado.com/documents/Freestyle-RM-Service-Manual.pdf#page=14>
  - Original Configuration: <https://www.carefreeofcolorado.com/documents/Freestyle-RM-Service-Manual.pdf#page=15>
  - Current Configuration: <https://www.carefreeofcolorado.com/documents/Freestyle-RM-Service-Manual.pdf#page=16>
- *Replacing the Direct Response Control Module*
  - <https://www.carefreeofcolorado.com/documents/Freestyle-RM-Service-Manual.pdf#page=17>
  - Wiring Diagram: <https://www.carefreeofcolorado.com/documents/Freestyle-RM-Service-Manual.pdf#page=18>
- *Where is my Part Number/Serial Number Located?*
  - <https://www.carefreeofcolorado.com/documents/Freestyle-RM-Service-Manual.pdf#page=19>
- *Illustrated Parts List (Original Configuration)*
  - <https://www.carefreeofcolorado.com/documents/Freestyle-RM-Service-Manual.pdf#page=19>
- *Illustrated Parts List (Current Configuration)*
  - <https://www.carefreeofcolorado.com/documents/Freestyle-RM-Service-Manual.pdf#page=21>
- *Freestyle Bracket Kit Breakdown*
  - <https://www.carefreeofcolorado.com/documents/Freestyle-RM-Service-Manual.pdf#page=23>

**Installation Manual:** <https://www.carefreeofcolorado.com/documents/070014-001r10%20Freestyle-RM-Installation.pdf>

# For 2017, 2016 and older Travato owners Freedom RM (Roof Mount)

---

## How To Find Your Product #



Serial # / Part # located on the inside of the end of lead rail

## Roofmount With Vertical Support

**BY** = ROOFMOUNT with Vertical support

**BW** = ROOFMOUNT with Vertical support

Product Part #

**BY**XXXYYxxyy

**BW**XXXYYxxyy



Please See Links Below  
**For Shortcuts**  
To Additional Information

### Owner's Manual

- *Operation - Extension, Retraction and how to use the Vertical Support Legs*
  - <https://www.carefreeofcolorado.com/documents/Freedom-RM-Owners-Manual.pdf#page=3>
- *Care and Maintenance*
  - <https://www.carefreeofcolorado.com/documents/Freedom-RM-Owners-Manual.pdf#page=5>
- *Manual Override – In case of RV power failure or motor failure*
  - <https://www.carefreeofcolorado.com/documents/Freedom-RM-Owners-Manual.pdf#page=6>
- *Adjusting the Pitch*
  - <https://www.carefreeofcolorado.com/documents/Freedom-RM-Owners-Manual.pdf#page=7>

### Service Manual

- *Product Specifications*

- <https://www.carefreeofcolorado.com/documents/Freedom-RM-Service-Manual.pdf#page=4>
- *Manual Override – In case of RV power failure or motor failure*
  - <https://www.carefreeofcolorado.com/documents/Freedom-RM-Service-Manual.pdf#page=5>
- *Pitch Adjustment*
  - <https://www.carefreeofcolorado.com/documents/Freedom-RM-Service-Manual.pdf#page=5>
- *Adjusting the Motor Limits (Motor Limit Switches)*
  - <https://www.carefreeofcolorado.com/documents/Freedom-RM-Service-Manual.pdf#page=6>
- *Care and Maintenance*
  - <https://www.carefreeofcolorado.com/documents/Freedom-RM-Service-Manual.pdf#page=7>
- *Canopy Replacement (Original Configuration)*
  - <https://www.carefreeofcolorado.com/documents/Freedom-RM-Service-Manual.pdf#page=8>
- *Canopy Replacement (Current Configuration)*
  - <https://www.carefreeofcolorado.com/documents/Freedom-RM-Service-Manual.pdf#page=9>
- *Spring Arm Replacement - Removing the lead rail connector, attaching the arm to the lead rail, replacing the arm*
  - <https://www.carefreeofcolorado.com/documents/Freedom-RM-Service-Manual.pdf#page=11>
- *Motor Replacement - Preliminary steps, Original Configuration, Current Configuration*
  - Preliminary Steps (All Configurations): <https://www.carefreeofcolorado.com/documents/Freedom-RM-Service-Manual.pdf#page=13>
  - Original Configuration: <https://www.carefreeofcolorado.com/documents/Freedom-RM-Service-Manual.pdf#page=14>
  - Current Configuration: <https://www.carefreeofcolorado.com/documents/Freedom-RM-Service-Manual.pdf#page=15>
- *Switch Wiring*
  - <https://www.carefreeofcolorado.com/documents/Freedom-RM-Service-Manual.pdf#page=16>
- *Flipper Latch Replacement (Support Legs)*
  - <https://www.carefreeofcolorado.com/documents/Freedom-RM-Service-Manual.pdf#page=17>
- *Where is my part number/serial number located?*
  - <https://www.carefreeofcolorado.com/documents/Freedom-RM-Service-Manual.pdf#page=18>
- *Illustrated Parts List (4 Meters and Smaller, Original Configuration)*
  - <https://www.carefreeofcolorado.com/documents/Freedom-RM-Service-Manual.pdf#page=18>
- *Illustrated Parts List (4.5 Meters and Larger, Original Configuration)*

- <https://www.carefreeofcolorado.com/documents/Freedom-RM-Service-Manual.pdf#page=20>
- *Illustrated Parts List (Current Configuration)*
  - <https://www.carefreeofcolorado.com/documents/Freedom-RM-Service-Manual.pdf#page=22>
- *Freedom RM Bracket Kit Breakdown*
  - <https://www.carefreeofcolorado.com/documents/Freedom-RM-Service-Manual.pdf#page=26>

**Other Freedom RM Reference Documents:**

***Illustrated Parts List:*** <https://www.carefreeofcolorado.com/documents/Freedom-RM-IPL.pdf>

***Motor Replacement:*** <https://www.carefreeofcolorado.com/documents/Freedom-RM-Motor-Replacement.pdf>

***Replacement Switch Kit:*** <https://www.carefreeofcolorado.com/documents/Replacement-Switch-Kit.pdf>

***Installation Manual:*** <https://www.carefreeofcolorado.com/documents/Freedom-RM-Installation-Manual.pdf>